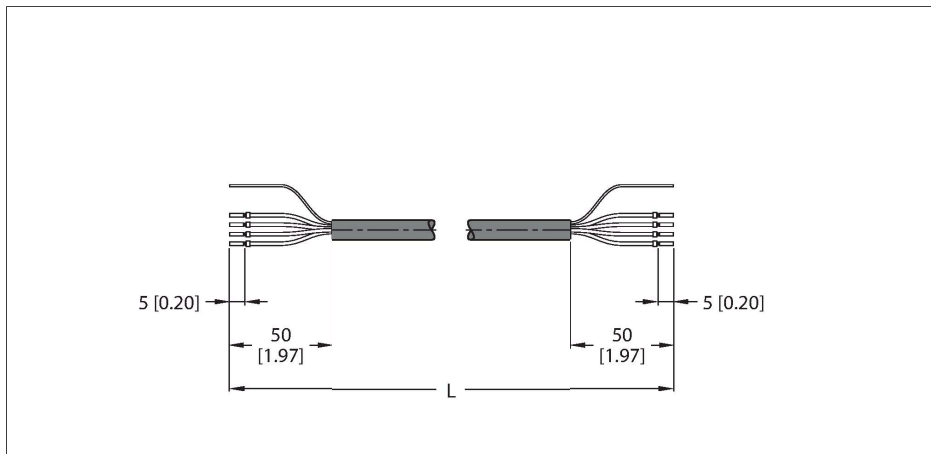


CABLE-BLIDENT-5M/S2500

RFID Cable Standard Version – Connection Cable

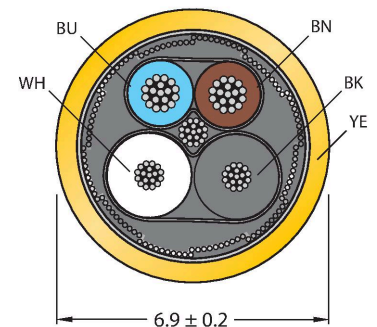


Features



- 4-wire, AWG 24/AWG 22
- Jacket material: PUR, color: yellow
- Free from halogen and LABS
- Shielding: aluminum foil, tinned copper wire
- Jacket diameter: 6.9 mm
- Suitable for drag chain use, oil resistant, highly flexible
- Cable UL Style 20549
- End open
- Open end
- Cable length: 5.0 m

Cable Cross-Section



Technical data

Type	CABLE-BLIDENT-5M/S2500
ID	100019085
Tightening torque (range)	0.6 ... 1 Nm (observe max. torque of mating connector!)
Cable	
Number of cores	4
Cable diameter	Ø 6.9 mm
Cable length	5 m
Cable jacket	PUR, Yellow
Shielding	yes
Data cable cores	
Core cross-section	2 x 0.25 mm ²
Power cable cores	
Core cross-section	2x 0.34 mm ²
Core colors	Power: BN, BU Data: WH, BK
Electrical properties at +20 °C	
Rated voltage	30 V
DC resistance (loop)	103 Ω/km
Nom. impedance	135 Ω
Nom. capacitance	50 pF/m
Mechanical and chemical properties	
Bending radius (flexible use)	≥ 8 x Ø
Bending cycles	≥ 1 million
Ambient temperature (fixed)	-40...+80 °C
Ambient temperature (mobile)	-25...+90 °C
Other Features	
Qualified for drag chain use	yes

Technical data

Halogen-free yes
