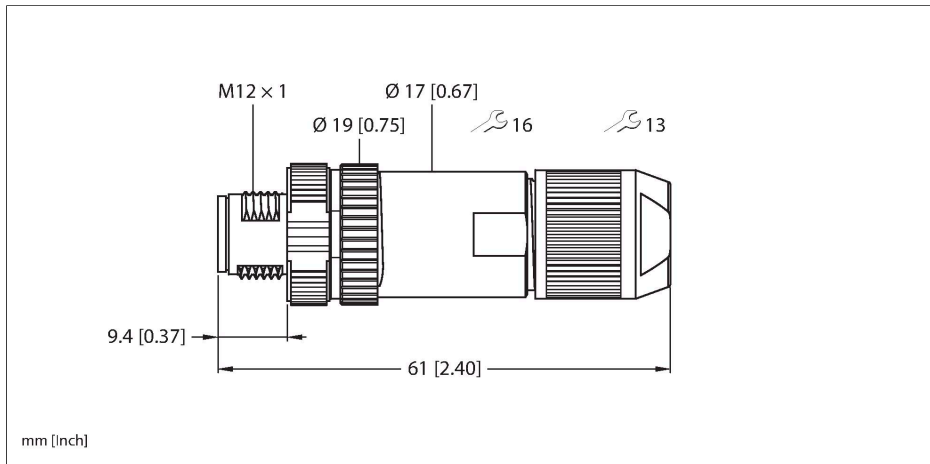


# FW-ERSSM0426-FD-P-0408

## Field-Wireable Connector – Industrial Ethernet

### Male Connector M12 × 1, Straight

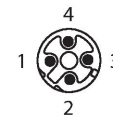


### Features



- For use in Ethernet applications
- Shielding via iris spring connection
- D-coding
- Metal housing
- Push-in connection
- 4-pin
- Data male connector: PROFINET CAT5
- Metal housing, shieldable
- Cable feedthrough: 4.0...8.0 mm
- Terminal capacity:
  - 0.14...0.75 mm<sup>2</sup> (without cable end sleeve)
  - 0.08...0.5 mm<sup>2</sup> (with cable end sleeve)
- Approval: cULus
- Flammability class acc. to UL 94 V0
- RoHS compliant
- Protection class: IP65, IP67

### Contact assignment



### Technical data

Type	FW-ERSSM0426-FD-P-0408
ID	100033307
Connector A	Male, M12 × 1, Straight, D-coded
Number of pins	4
Contacts	Bronze, CuSn, Nickel Sublayer and Gold Coating
Contact carriers	Plastic, PA 6.6, Black
Connector body	Die-cast Zinc, GD-Zn, nickel-plated
Coupling nut/screw	Die-cast Zinc, GD-Zn, Nickel-plated
Seal	NBR
Tightening torque (range)	0.4 ... 0.4 Nm (observe max. torque of mating connector!)
External diameter of the cable	4...8 mm
Core cross-section/Clamping ability	0.14...0.75 mm <sup>2</sup>
Connection mode	Push-in connection
Mechanical lifespan	> 100 Mating cycles
Protection class	IP65, IP67, (screwed together)
Network protocol	Ethernet
Shielding	yes
<b>Electrical properties at +20 °C</b>	
Rated voltage	60 V <sub>AC</sub> /60 V <sub>DC</sub>
Insulation resistance	≥ 10 <sup>8</sup> Ω
<b>Mechanical and chemical properties</b>	
Ambient temperature (fixed)	-40...+85 °C
Approvals	cULus