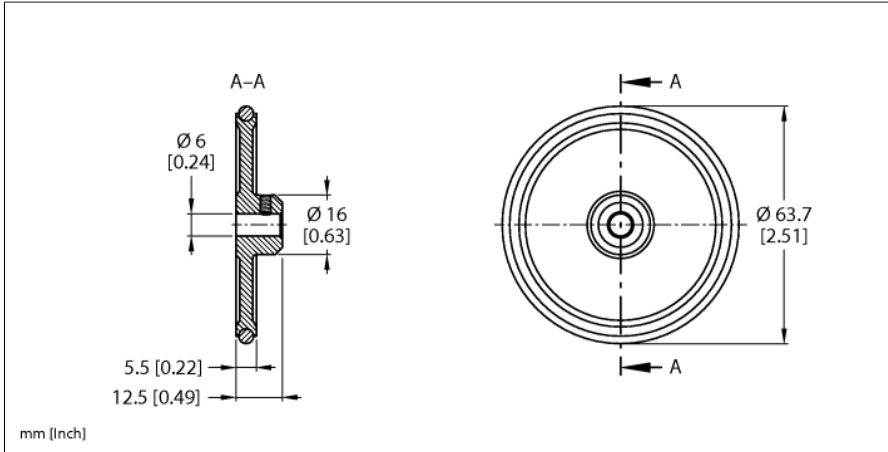


Accessories

Measuring Wheel

For Solid Shaft Encoders

RA-MW-200-5.5-OR1-6



Type	RA-MW-200-5.5-OR1-6
ID	100038298
Ambient temperature	-30...+80 °C

- For length measurement
- Circumference: 0.2 m
- Material: Aluminum
- Surface: O-ring (NBR70)
- Application area: Cardboard, wood, textiles, plastics, painted surfaces