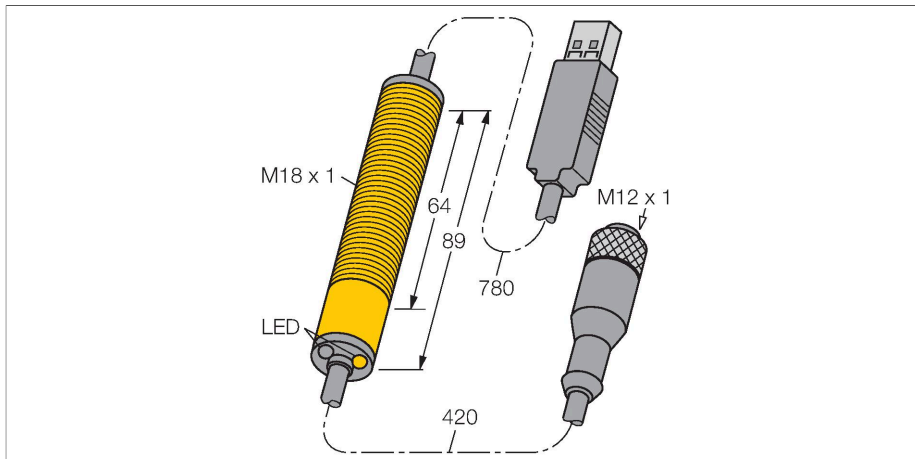


# BWA-UCT-900

## – Accessories

### USB-RS485 Converter



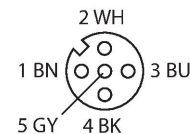
### Features

- Converter cable with DC power supply for parameterizing DX80 networks via PC
- RS485 on USB 2.0 converter
- Supported baud rates: 9.6 k, 19.2 k or 38.4 k
- 8 data bits, 1 stop bit, parity NONE
- Female connector M12 × 1, 5-pin
- Male, USB type A
- DC power supply with various connector types
- 1 m, extendible to max. 30 m
- Connection of DX80 gateways or data radio masters
- Supplies the connected device with 10 V
- For Windows XP, Vista 7 or 10

### Technical data

Type	BWA-UCT-900
ID	3019970
Device type	Converter
Number of channels	1
Input type	USB
Number of channels	1
Output type	Modbus RTU (RS485)
Operating voltage	5 VDC
Current output	400 mA
Power-on indication	LED, Green
Design	Cylinder, threaded
Dimensions	Ø 18 x 89 mm
Housing material	Plastic, PVC, Yellow
Electrical connection	4-wire
Antenna connection	No radio participant
Ambient temperature	-40...+80 °C
Protection class	IP50
Tests/approvals	

### Wiring diagram



### Functional principle

This converter cable is used for parameterizing DX80 networks. It is connected directly to the RS485 interface of a DX80 gateway or a data radio master and connected to the PC via USB. The devices are supplied with 10 V via the PC. The network is easily parameterized via the software which is delivered together with the gateway and the data radio.