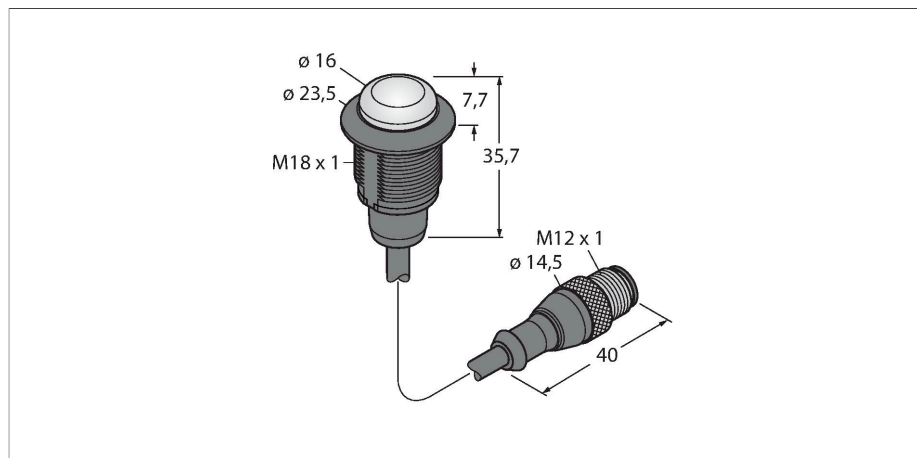


# S18LRXXPQP

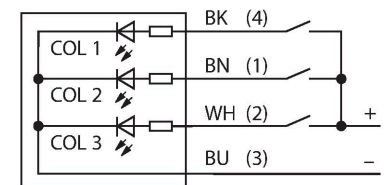
## LED Signal Light – Beacon



### Features

- LED all-round visible
- Individually controllable
- Mechanical screw-in thread M18x1
- Protection classes IP67 / IP69K
- UV-resistant materials
- Current consumption per LED color: max. 25 mA
- Monochrome: Red (COL 1)
- Cable with male end M12 x 1
- Operating voltage 10...30 VDC

### Wiring diagram



### Functional principle

These LED beacons in robust IP67/IP69K rated design are suited for indoor and outdoor areas. The plastic housing is UV-resistant. The light-emitting surface is visible at an angle of 180° relative to the installation surface. The unique, grey off state allows a good identification, even in sunlight. Depending on the connection, one of the three LED colors is on during the period of an input signal.

### Technical data

Type	S18LRXXPQP
ID	3020987
<b>Signal and display data</b>	
Purpose	LED indicator light
Function	Spotlight
Light type	Red
Dimmable	No
Features of color 1	Red, Permanently on, 1.1 lm
Special features	Wash down
<b>Electrical data</b>	
Operating voltage $U_B$	10...30 VDC
DC rated operating current $I_o$	≤ 25 mA
Max. current consumption per color	25 mA
Input type	PNP
Response time typical	< 1 ms
<b>Mechanical data</b>	
Cascadable	No
Design	Threaded barrel, S18L
Dimensions	Ø 23.5 x 35.7 mm
Housing material	Plastic, PC, Black
Window material	Polycarbonate, diffuse
Electrical connection	Cable with connector, M12 × 1, 0.15 m, PVC
Number of cores	4
Ambient temperature	-40...+50 °C
Protection class	IP67 IP69

## Technical data

### Tests/approvals

Approvals CE, UL listed

## Accessories

Dimension drawing	Type	ID	
	RKC4.4T-2/TEL	6625013	Connection cable, M12 female connector, straight, 4-pin, cable length: 2 m, jacket material: PVC, black; cULus approval
	WKC4.4T-2/TEL	6625025	Connection cable, M12 female connector, angled, 4-pin, cable length: 2 m, jacket material: PVC, black; cULus approval