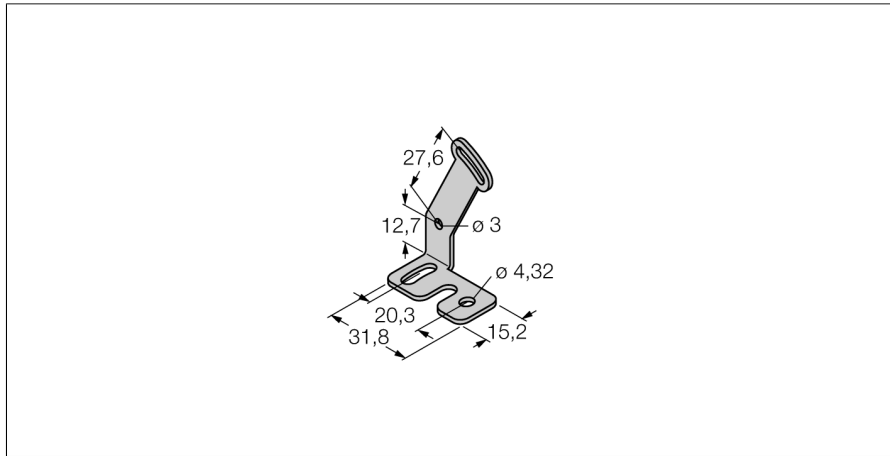


Accessories

Mounting Bracket

SMBQS18AF



- Mounting bracket
- Stainless steel
- For QS18...AF

Type	SMBQS18AF
ID	3067467
Design	Accessories for rectangular sensor, SMBQS18AF
Housing material	Stainless steel, 1.4401 (AISI 316)