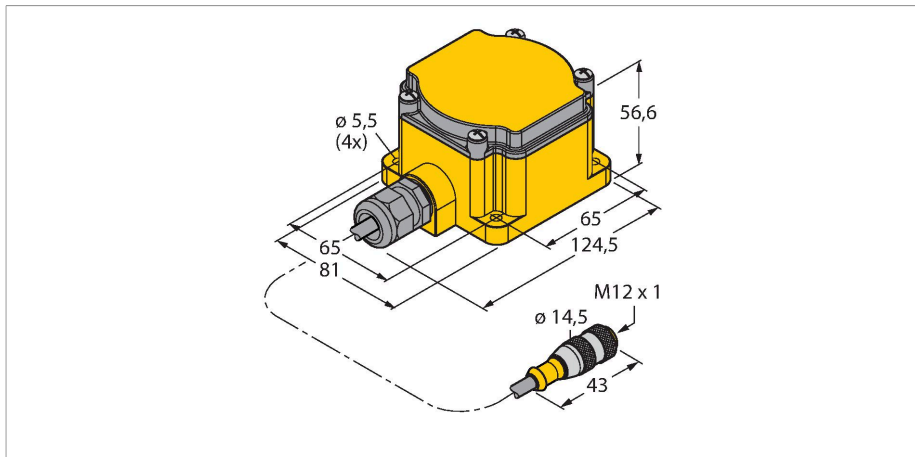


DX81-LITH-NB

Battery Module – For External Power Supply of DX80 Radio Devices

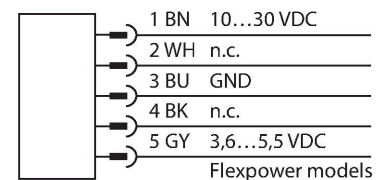
3.6-V Li-Ion Battery



Features

- 150-mm cable with male connector, M12 × 1
- Protection class IP67
- For connection to a DX80 FlexPower device
- Holds a Li-Ion D cell
- Li-ion battery not included in delivery

Wiring diagram



Technical data

Type	DX81-LITH-NB
ID	3086018
Wireless data	
Device type	Battery housing
I/O data	
Electrical data	
Runs with battery	Yes
Operating voltage U_B	3.6...5.5 VDC
Mechanical data	
Design	Rectangular, DX81
Dimensions	124.5 x 80.9 x 50.6 mm
Housing material	Plastic, PC
Antenna connection	No radio participant
Ambient temperature	-40...+85 °C
Relative humidity	0...95 %
Protection class	IP67
Tests/approvals	
Approvals	ATEX II 3 G

Functional principle

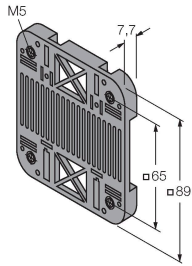
The DX81 battery modules supply the FlexPower nodes of DX80 networks with power. For XL-205F battery. Efficient energy management ensures that connected sensors are only powered by the nodes when a signal is read out. With power saving circuits and depending on the configuration, the batteries may last 2 or 3 years.

Norms:

Shock and vibration resistant: IEC 68-2-6 and IEC 68-2-7

Accessories

SMBDX80DIN 3077161



Mounting panel for DIN rail, suited for CP80, DX80, K80, Q80, operating temperature: -20...90 °C

Accessories

Dimension drawing	Type	ID	
Keine Maßzeichnung vorhanden! No drawing available!	SL-2780/S	6913376	Lithium-ion battery, D cell, 3.6 VDC, 19,000 mAh, local supplier, GGV UN3090/CL9
Keine Maßzeichnung vorhanden! No drawing available!	BWA-BATT-001	3078261	Lithium-ion battery, D cell, 3.6 VDC, 19,000 mAh, American supplier, GGV UN3090/CL9