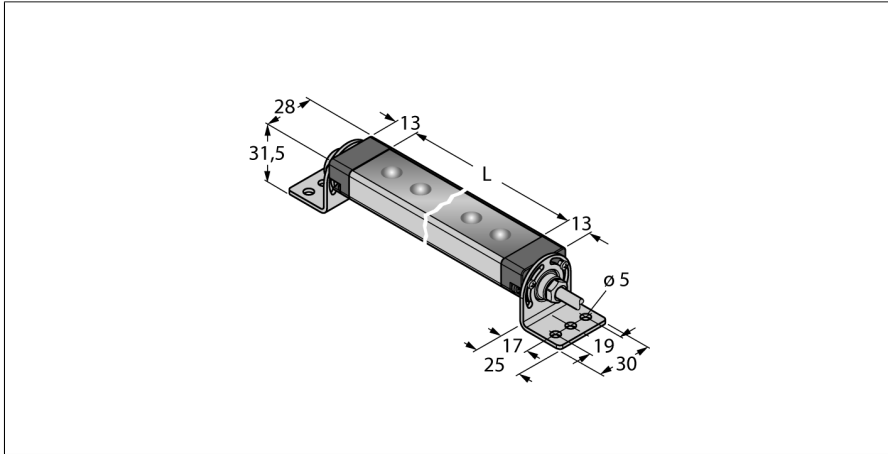


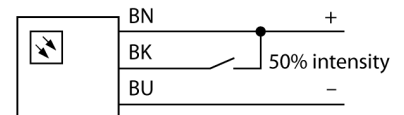
# LED Linear Light In the Metal Housing WLS28-2XW430DS



- Light beam: 430mm
- Operating voltage: 12...30 VDC
- Protection class: IP67 / IP69K
- Color: White
- Cable, PVC, 2 m
- SMBWLS28RA mounting bracket included in delivery

Type	WLS28-2XW430DS
ID	3088052
<b>Signal and display data</b>	
Purpose	LED work light
Function	Linear light
Light type	White
Color temperature	6100...+7000K
Luminous flux lumen	975 lm
Aperture angle degree	60 °
Beam angle	wide beam 40-80°
LED service life (L70)	50000 h
Dimmable	Two-stage
Features of color 1	White, Permanently on, 900 lm
Special features	Wash down

### Wiring Diagram



<b>Electrical data</b>	
Operating voltage $U_o$	12...30 VDC
DC rated operating current $I_o$	≤ 1010 mA
Input power	12.12 W

### Functional principle

The low-energy LED work lights are ideally suited for industrial applications. The color temperature is between 6,000 and 7,100 Kelvin (cool white). Depending on the model, the luminous flux is 325 or 2600 lumen. Some work lights are switched on/off via supply power (10...30 VDC) and some types by means of a button directly at the LED lamp. In addition, the LED can be dimmed to 50% of its light output by activating a high signal on PIN 4, or for the variants with a switch, by means of a further switch position. On some models the light output is continuously dimmable via a PWM signal on pin 4. Cascadable variants are also available. Variants with a clear or diffuse plastic windows, as well as with an aperture angle of 25°.

<b>Mechanical data</b>	
Cascadable	No
Design	Rectangular, WLS28-2
Housing material	Metal, AL
Window material	Polycarbonate, diffuse
Electrical connection	Cable, 2 m, PVC
Number of cores	3
Ambient temperature	-40...+70 °C
Storage temperature	-40...+70 °C
Relative humidity	0...90%
Protection class	IP65 IP67 IP69

### Application note:

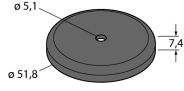
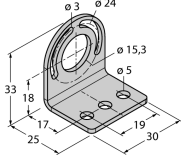
Cascading with 12 V supply allows total light length of 1.4 m. Cascading with 24 V supply allows total light length of 3.0 m. Cascading

<b>Tests/approvals</b>	
Approvals	CE, UL

with 30 V supply allows total light length of 3.1 m.

At 50% light intensity, the length specifications should be doubled.

## Accessories

Type code	Ident no.		Dimension drawing
SMBWLSMAG	3019574	Magnetic fixture for mounting work lights and sensors, 2 pieces	
SMBWLS28RA	3015764	Mounting bracket, angled, metal, for WLS28 work lights, 5 mm drill holes, screw set included	
SMBWLS28SP	3088063	Snap bracket for mounting WLS28 work lights	