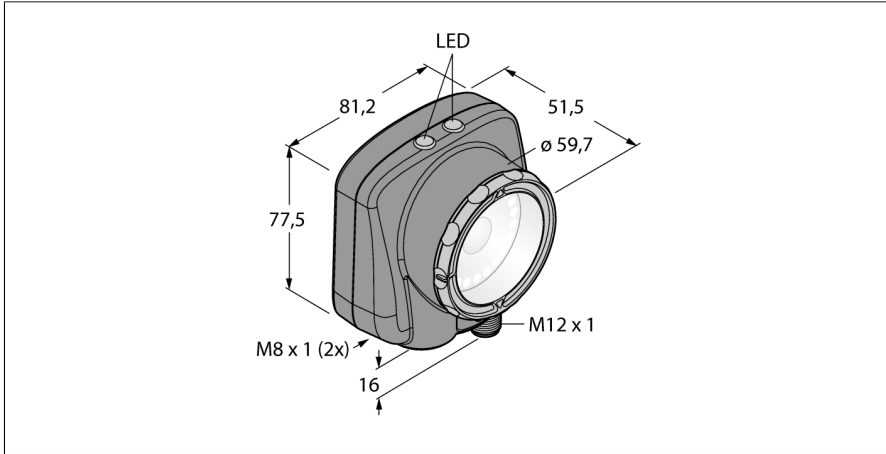


# Image Processing Grayscale Image Sensor IVU2PTG916



Type	IVU2PTG916
ID	3090786
<b>Camera data</b>	
Function	Gray value
Resolution	752 × 480 pixels
Light type	UV
Brennweite	8 mm
Special features	Wash down
<b>Electrical data</b>	
Operating voltage $U_s$	10...30 VDC
DC rated operating current $I_s$	≤ 1000 mA
Communication protocol	EtherNet/IP Modbus TCP PCCC PROFINET RS232
<b>Mechanical data</b>	
Design	Rectangular, iVu PLUS
Housing material	Plastic, Thermoplastic material, Black
Window material	Acrylic, clear
Electrical connection	Connector, M12 × 1, 12-wire
Display	Integriert
Ambient temperature	0...+50 °C
Protection class	IP67
<b>Tests/approvals</b>	
Approvals	CE

- Second iVu generation
- Internal memory for 30 inspections
- 1/3" CMOS, 752x480 pixels
- Integrated ring light: UV light (365 nm)
- Protection class IP67
- External strobe output + 5 VDC
- External trigger input
- Lens, 16 mm, M12x1
- Display: Integrated 65.5 mm LCD color display, 320 x 240 transreflective
- Operating voltage 10...30 VDC
- M12 x 1 male, 12-pin
- Three PNP/NPN switching outputs, selectable via software
- USB 2.0 host: M8 female, 4-pin
- Ethernet via M8 x 1 male, 4-pin
- Industrial Ethernet: PROFINET, EtherNet/IP, Modbus/TCP, PCCC

## Wiring Diagram

1	WH	Output 1
2	BN	10...30 VDC
3	GN	Output 2
4	YE	Strobe out 5 VDC only
5	GY	Remote teach
6	PK	Ext. trigger
7	BU	Common
8	RD	Ready
9	OG	Output 3
10	BU light	RS-232 TX
11	BK	RS-232 signal ground
12	VT	RS-232 RX

## Functional principle

The second generation of the iVu-Plus offers the user advanced features and even more

options in the selection of the inspections. The sensor is equipped with the same housing and offers the same intuitive user interface and functionality of the previous iVu generation.

Sensor with 3 integrated operating modes:

1. Pattern recognition, checks if a pattern on a target is identical to the reference pattern.
2. Blob detection, for identification of one or more object features.
3. Feature detection with positioning, which adapts to the movements.

A blanking function for blob and feature detection is available in the new generation, so that areas in the field of view can be switched blind. Sensor configuration via PC is not required!

Storage for 30 inspections.

## Accessories

Type code	Ident no.		Dimension drawing
SMBIVURAR	3082547	Brackets for mounting on right side	
SMBIVURAL	3082546	Brackets for mounting on left side	
SMBIVUU	3082549	U-bracket for base mounting (incl. SMBIVUB baseplate)	