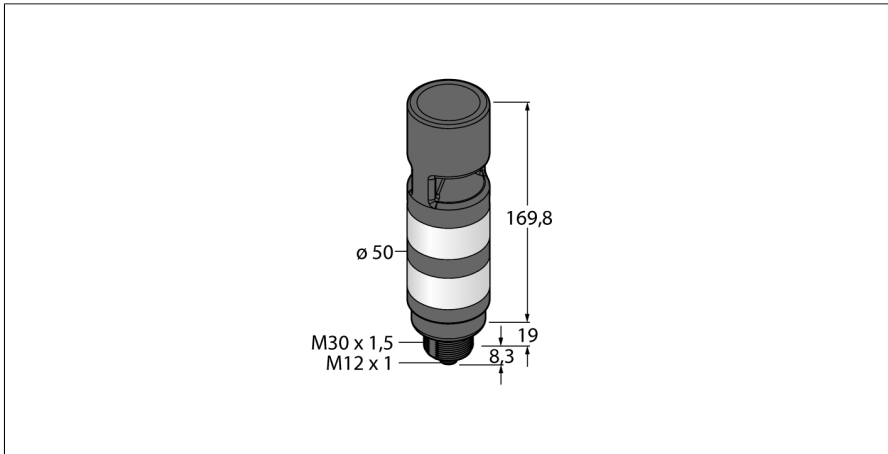


LED Signal Light Tower Light TL50CGRAOSQ



Type	TL50CGRAOSQ
ID	3091367
Signal and display data	
Purpose	LED indicator light
Function	Tower light
Light type	Green Red
Dimmable	No
Features of color 1	Green, Permanently on, 27 lm
Features of color 2	Red, Permanently on, 9 lm
Acoustic signal	Continuous tone, 99dB

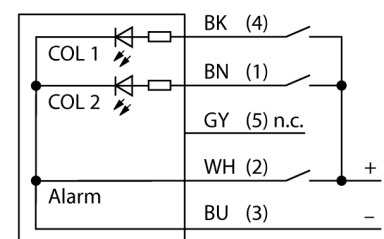
Electrical data	
Operating voltage U_s	18...30 VDC
DC rated operating current I_s	≤ 45 mA
Operating voltage U_s	21...27VAC
Max. current consumption per color	135 mA
Max. current consumption of beeper	45 mA
Input type	Bipolar (PNP/NPN)
Response time typical	< 10 ms

Mechanical data	
Cascadable	No
Design	Smooth barrel, TL50
Dimensions	$\varnothing 50 \times 167.5$ mm
Housing material	Plastic, ABS, Black
Window material	Polycarbonate, diffuse
Electrical connection	Connector, M12 \times 1, PVC
Number of cores	4
Ambient temperature	-20...+50 °C
Relative humidity	0...95%
Protection class	IP67

Tests/approvals	
Approvals	CE, UL listed

- Plastic housing, gray
- Protection against electromagnetic and high-frequency interference
- Protection class IP67
- M12 \times 1 connector
- Multicolor: Green (COL 1) / Red (COL 2)
- Operating voltage: 18...30 VDC or 24 VAC with 45 mA per LED color
- Inputs: PNP/NPN
- Beeper: Omnidirectional, sealed, continuous tone max. 99 dB

Wiring Diagram



Functional principle

The TL50 tower lights provide highly visible status indicators and a clear user guidance within the entire system. They can be assembled from varicolored LEDs and are available with or without beeper. You can mount them directly on machines, in the cabinet or in locations to be monitored within the production lines.

The wiring diagram shows a PNP pin assignment.

There are 10 colors available blue (B), green (G), red (R), yellow (Y), white (W), turquoise (T), orange (O), violet (V), sky blue (S) and magenta (M), which specify the light sequence from bottom to top in the type code of

the tower light. Example: TL50GYRQ, colors green, yellow and red arranged from bottom to top.