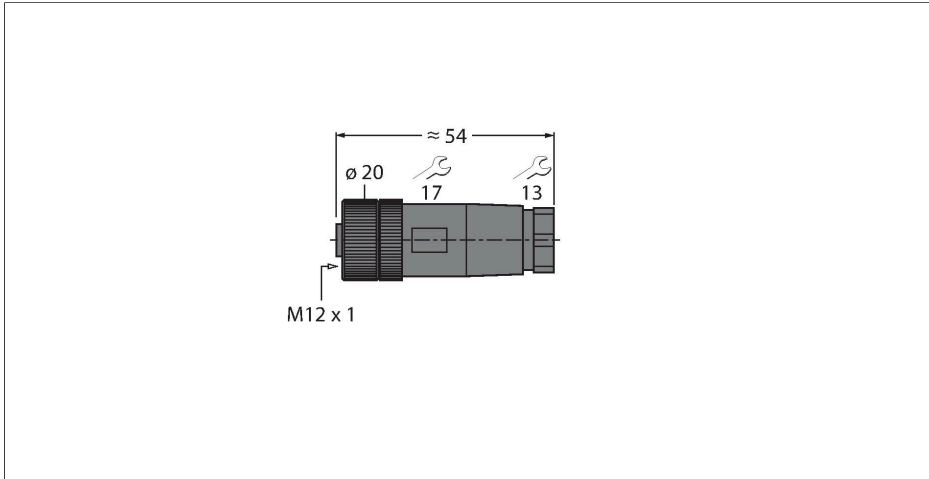


B8151-0

Field-Wireable Connector

Female Connector M12 × 1, Straight

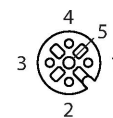


Features



- A-coding
- Plastic coupling nut
- UL approval
- Screw-clamp terminal
- A-coding
- 5-pin
- PG7 screw-in thread
- Cable feedthrough 4.0...6.0 mm

Contact assignment



Technical data

| | |
|---|------------------------------------|
| Type | B8151-0 |
| ID | 6904601 |
| Connector A | Female, M12 × 1, Straight, A-coded |
| Number of pins | 5 |
| Contacts | CuZn, Optalloy Coating |
| Contact carriers | Plastic, PA, Black |
| Connector body | Plastic, PA, Black |
| Coupling nut/screw | Plastic, PA, Black |
| Seal | Plastic, FPM/FKM |
| Screw-in thread seal | Plastic, FPM/FKM |
| Screw-in thread | PG7 |
| External diameter of the cable | 4...6 mm |
| Core cross-section/Clamping ability | 0.14...0.75 mm ² |
| Connection mode | Screw/clamp connection |
| Mechanical lifespan | > 50 Mating cycles |
| Protection class | IP67, (screwed together) |
| Electrical properties at +20 °C | |
| Rated voltage | 60 V |
| Current | 4 A |
| Insulation resistance | ≥ 10 ⁸ Ω |
| forward resistance | ≤ 8 mΩ |
| Mechanical and chemical properties | |
| Ambient temperature (fixed) | -40...+85 °C |
| Approvals | cULus recognized |