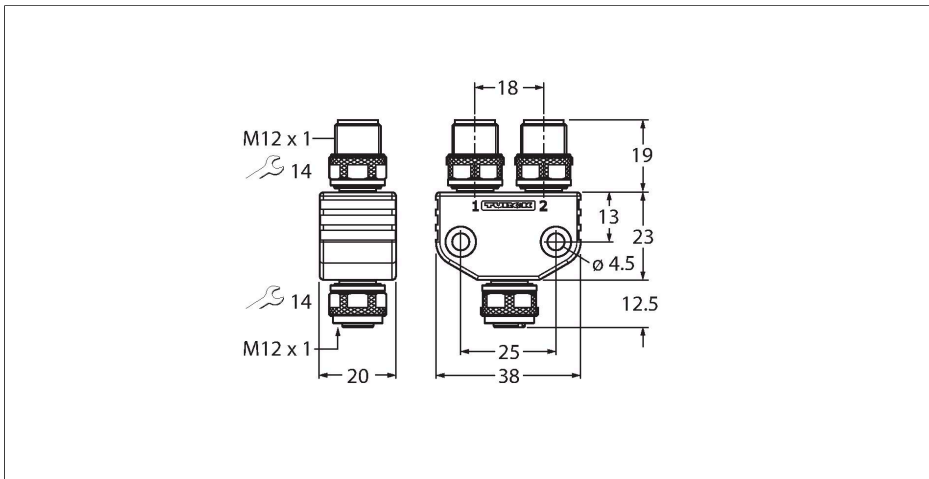


VB2-FKM5-FSM5.205-FSM5.305/S2550

Y-Splitter for Re-Powering a Supply Voltage – For RFID Bus Line Topology



Features

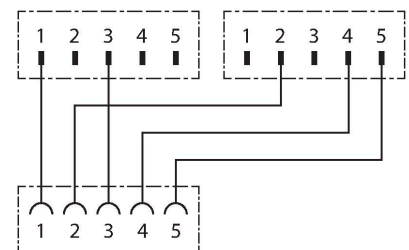
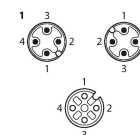


- RoHS-compliant
- Protection class IP67

Technical data

Type	VB2-FKM5-FSM5.205-FSM5.305/S2550
ID no.	6936821
Distributed I/O	2
Connector A	Female Connector, 2x Male Connector, M12 × 1
Number of Pins	5/5
Contacts	Brass, CuZn, Gold-plated
Contact carriers	Plastic, TPU, Black
Connector body	Plastic, TPU, Black
Coupling nut/screw	Brass, CuZn, Nickel-plated
Seal	Plastic, FKM/FPM
Tightening torque (range)	0.8 ... 1 Nm (observe max. torque of mating connector!)
Mechanical lifespan	> 100 Mating cycles
Pollution degree	3/2
Type of protection	IP67, Only in screwed condition
Connector B	M12 × 1
Electrical properties at +20 °C	
Rated voltage	60 V
Current	4 A
Insulation resistance	≥ 10 ⁸ Ω
forward resistance	≤ 5 mΩ
Ambient temperature range (In motion)	-30 °C...+90 °C

Contact assignment



Accessories

TORQUE-WRENCH-SET-AS 6936170



Torque wrench set; handles with adjustable torque 0.4-1.0 Nm, torque wrench for M8 (SW9), fork wrench for M12 (SW 14)

Accessories

Dimension drawing	Type	ID no.	
	RSE57-TR2/RFID	6934908	Terminating resistor to build an RFID line topology
	VT2-FKM5-FKM5-FSM5	6930573	T-splitter to build an RFID line topology