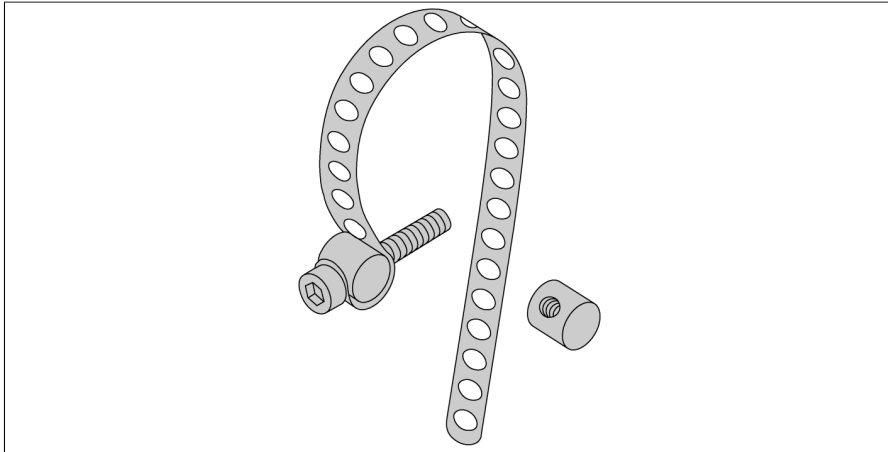
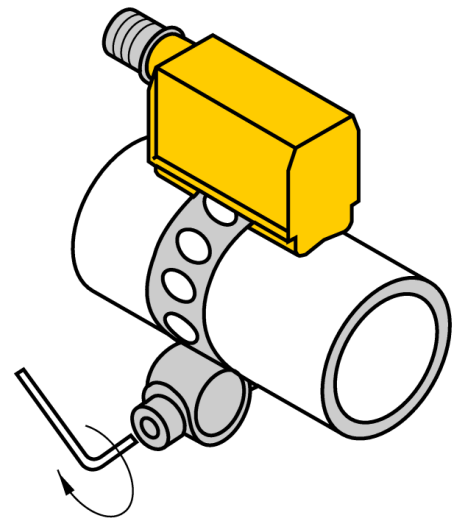


Mounting Accessories Assembly Bell For Round Cylinders KLP 80-VA



mounting kit consisting of: Retaining strap, cylinder diameters of 25...80 mm; (material: stainless steel), 2 tie bolts (material: brass, alternatively stainless steel) cylinder screw M3 x 20; DIN 912-A20



| | |
|--|--------------------------|
| Type | KLP 80-VA |
| ID | 69654 |
| Design | Accessories, PST |
| Housing material | Metal, 1.4301 (AISI 304) |
| Fixing clamp for correspondent cylinder diameter | 25...80 mm |