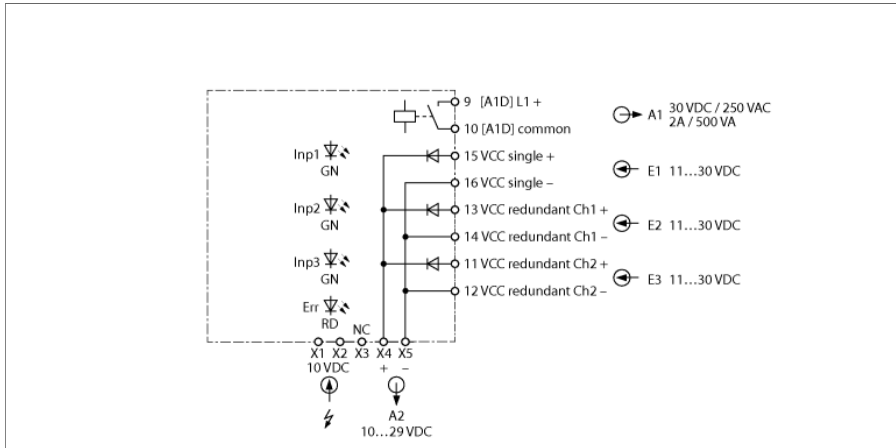


# Accessories

## Power Supply Module — Power-Bridge

### IMX12-PS02-UI-UIR-PR/24VDC/CC



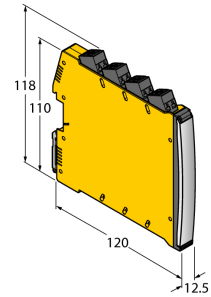
The IMX12-PS02-UI-UIR-PR/24VDC/CC supply module supplies the IMX12 series modules with power via the power bridge and transmits the collective fault signal of the connected devices. Simple and redundant supply of voltage is possible via 2 power supplies. The voltage inputs have reverse polarity protection. The device monitors the supply voltage at the inputs for over- and undervoltage. If the supply voltage is not within the required range (11...31, 16 V), the device will emit an error message. Errors are reported via an LED and the output relay (NO contact).

The device is connected via spring type terminals.

The device is equipped with removable spring-type terminals.

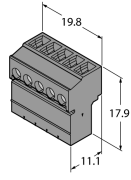
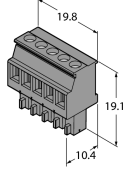
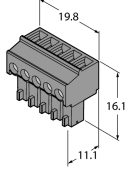
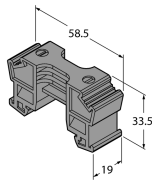
- Collective fault signal via relay
- Single and redundant power supply via terminals
- Supply inputs are decoupled
- Reverse polarity protection
- Removable spring type terminals
- Male connector for power bridge incl. in delivery
- ATEX, IECEx, NEPSI, cUL, cFM, INMETRO, Kosha
- Use in Zone 2

Type	IMX12-PS02-UI-UIR-PR/24VDC/CC
ID	7580611
Nominal voltage	24 VDC / 7 A
Operating voltage $U_s$	11...30 VDC
Parallel mode	yes, via diodes
Power-Bridge common alarm output	MOSFET, $U_{max} = 30\text{ V}$ , $I_{max} = 100\text{ mA}$
Important note	For Ex-applications the values specified in the corresponding Ex certificates (ATEX, IECEx, UL, etc.) apply.
Ex approval acc. to conformity certificate	EPS 16 ATEX 1052 X
Ignition protection category	II 3G Ex nA nC IIC T4 Gc
<b>Displays/Operating elements</b>	
Operational readiness	Green
Error indication	red



Mechanical data			
Protection class	IP20		
Flammability class acc. to UL 94	V-0		
Ambient temperature	-25...+70 °C		
Storage temperature	-40...+80 °C		
Dimensions	120 x 12.5 x 128 mm		
Weight	152 g		
Mounting instructions	DIN rail (NS35)		
Housing material	Plastic, Polycarbonate/ABS		
Electrical connection	Removable spring-type terminals, 2-pin		
Connection variant	Power bridge with collective fault signal		
Terminal cross-section	0.2...2.5 mm <sup>2</sup> (AWG: 24...14)		
Environmental conditions	Operating height	Up to 2000 m above sea level	
	Pollution degree	II	
	Surge/Overtoltage category	II (EN 61010-1)	
	Standards used		
	Voltage resistance and insulation		EN 50178
			EN 61010-1
			EN 50155
			GL VI-7-2
	Shock		EN 61373 class B
			EN 50155
			GL VI-7-2
			EN 60068-2-6
			EN 60068-2-27
	Temperature		EN 60068-2-1 Ad
			EN 50155
			GL VI-7-2
			EN 60068-2-2 Bd
			EN 60068-2-1
	Air humidity		EN 60068-2-38
	EMC		EN 50155
			GL VI-7-2
			NE21
			EN 61326-1
			EN 61326-3-1
			EN 61000-4-2
			EN 61000-4-3
		EN 61000-4-4	
		EN 61000-4-5	
		EN 61000-4-6	
		EN 61000-4-11	
		EN 61000-4-29	
		EN 55011	
		EN 55016	
		EN 50121-3-2	
	EN 61000-6-2		

## Accessories

Type code	Ident no.		Dimension drawing
IMC 1.5/ 5-ST-3.81 BK	7580954	Power Bridge Connection Terminal	
MCVR 1.5/ 5-ST-3.81 BK	7580955	Power Bridge Connection Terminal	
MC 1.5/ 5-ST-3.81 BK	7580956	Power Bridge Connection Terminal	
E/ME TBUS NS35 BK	7580957	Power Bridge Connection Terminal	
IMX12-SC-2X-4BK	7580940	Screw terminals for IM(X)12 modules; included in delivery: 4 pcs. of 2-pin black terminals	
IMX12-SC-2X-4BU	7580941	Screw terminals for IM(X) 12 modules; included in delivery: 4 pcs. of 2-pin blue terminals	
IMX12-CC-2X-4BK	7580942	Spring terminals for IM(X)12 modules; included in delivery: 4 pcs. black terminals, 2-pin	
IMX12-CC-2X-4BU	7580943	Spring terminals for IM(X)12 modules; included in delivery: 4 pcs. blue terminals, 2-pin	