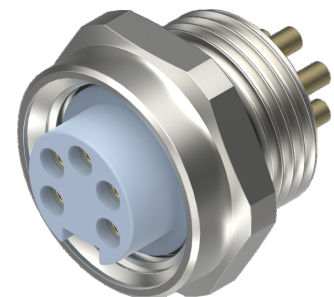
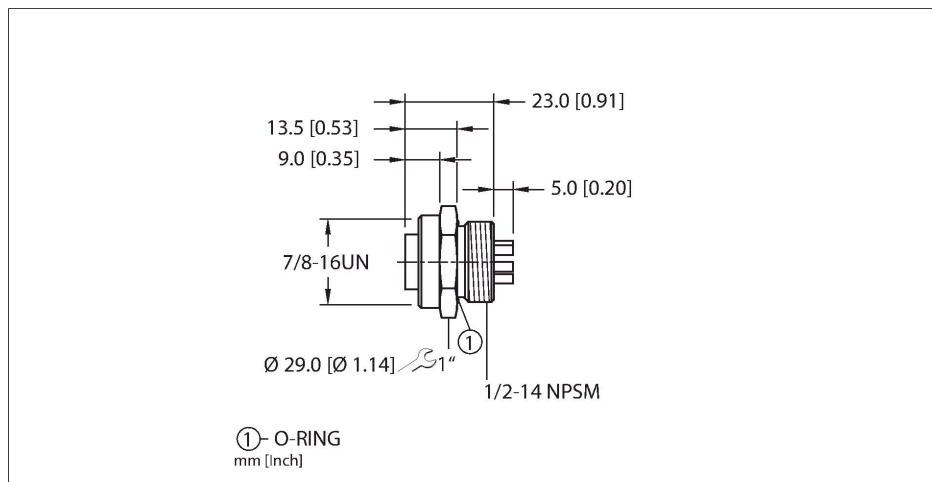


RKF 57

DeviceNet, 7/8" Female Receptacle – Front-Mounted



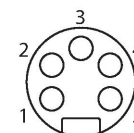
Features



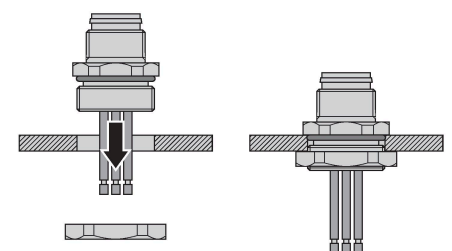
- 7/8", female receptacle, 5-pin
- Screw-in thread: 1/2"-14 NPSM

Contact assignment

Connector A



Front panel mounting



Technical data

Type	RKF 57
ID	U5514-1
Connector A	Female, 7/8"-16 UN
Number of pins	5
Contacts	Brass, CuZn, Gold-plated
Contact carriers	Plastic, TPU, Blue
Flange housing	Brass, CuZn, Nickel-plated
Tightening torque (range)	0.8 ... 2 Nm (observe max. torque of mating connector!)
Mounting type	front panel mounting
Screw-in thread seal	O-ring, Plastic, NBR
Screw-in thread	1/2"-14 NPSM
Flange tightening torque	6.8...27.1 Nm
Connection mode	Solder contact
Mechanical lifespan	> 100 Mating cycles
Pollution degree	3
Protection class	IP67, IP68, IP69, IP69K NEMA: 1, 3, 4, 6P, 12
Network protocol	DeviceNet CANopen
Number of cores	5
Core insulation	PVC
Electrical properties at +20 °C	
Rated voltage	300 V
Current	9 A
Mechanical and chemical properties	
Ambient temperature (fixed)	-40...+105 °C

Technical data

Approvals

UL 2238
CSA C22.2 No. 182.3
CE
RoHS

Note

- We reserve the right to make technical modifications without prior notice.
